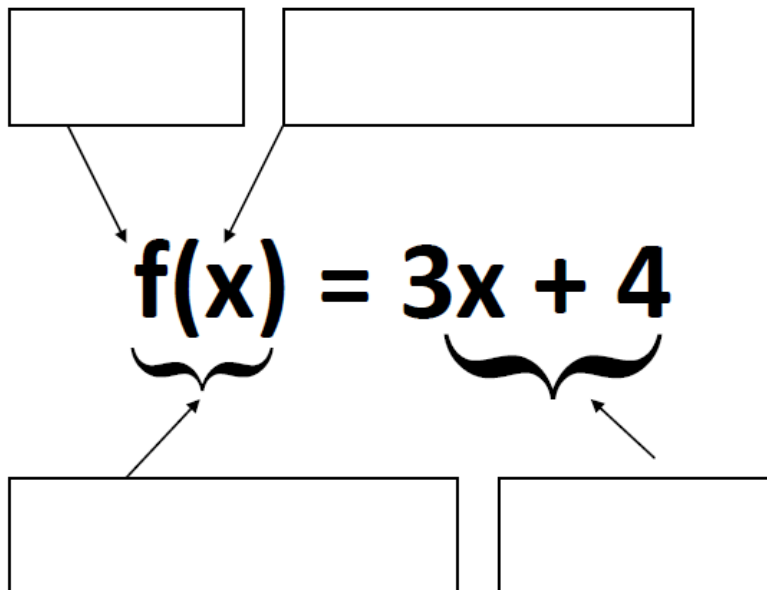
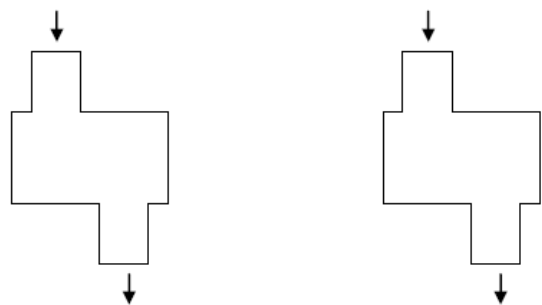


## Function Machines & Function Notation

A function can be thought of as a \_\_\_\_\_ that assigns \_\_\_\_\_ to \_\_\_\_\_.

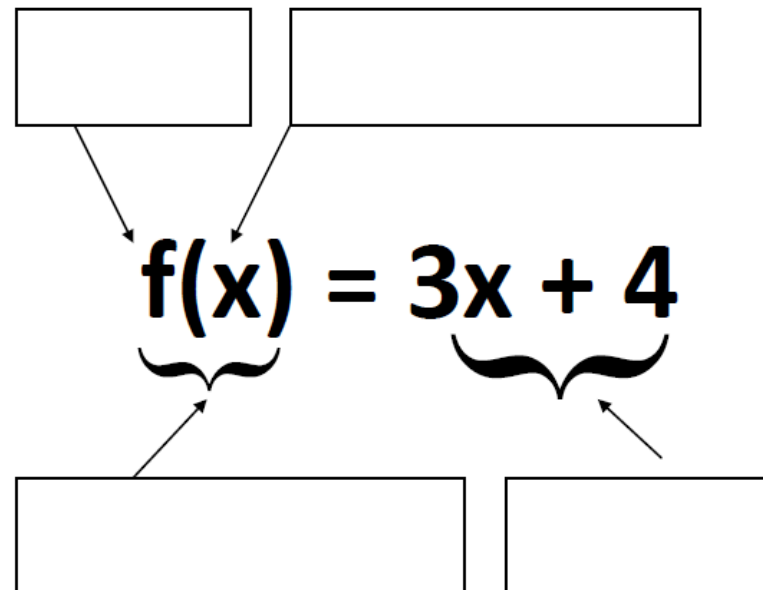


Find and illustrate  $f(2)$  and  $f(-1)$  using the function machines below.



## Function Machines & Function Notation

A function can be thought of as a \_\_\_\_\_ that assigns \_\_\_\_\_ to \_\_\_\_\_.



Find and illustrate  $f(2)$  and  $f(-1)$  using the function machines below.

